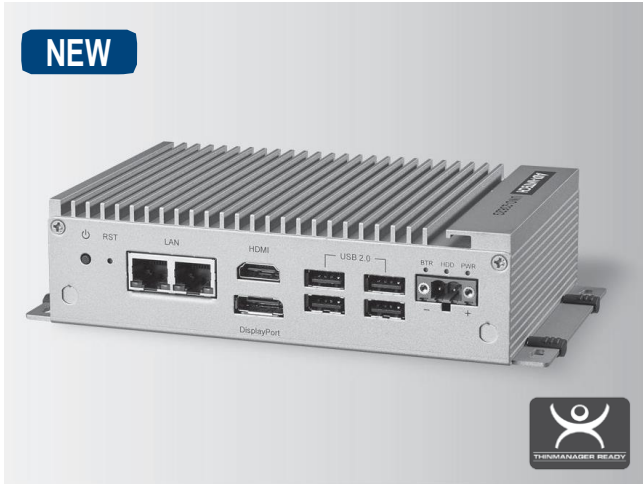


SRP-FPV240-AE

MultiMonitorACPReadyThinClient,
1xHDMI,1xDP

NEW



Features

- Verified with ACP Thin Manager, ACP BIOS enabled
- 2 simultaneous, independent MultiMonitor digital video ports: 1xHDMI, 1xDisplayPort,
- 1xGbE, 4xUSB2.0, 1xRS-232, 1xRS-485
- Daisy-Chain for Ethernet with auto-bypass protection enabled
- Comprehensive Palm, Small, Regular-size form-factor
- Compact with Fanless Design

Introduction

Realize the true value of thin client and centralized management technologies with Advantech's Thin Manager Compatible industrial thin clients. ACP's Thin Manager, the leading thin clients solution for the factory floor, and Advantech's industrially hardened thin client hardware provide unique solutions for centralized management of factory floor applications. The SRP-FPV240-AE is the perfect Thin Manager Multi Monitor industrial thin client for applications where flexibility and cost savings of 2 monitors per client is desired. The SRP-FPV240-AE also supports the newest digital video interfaces such as: DisplayPort and HDMI.

Specifications

General

- **Certification** CE, FCC, UL, CCC, BSMI
- **Dimensions (WxDxH)** 190x107x47mm (7.5"x4.2"x1.8")
- **Form Factor** Small Size
- **Enclosure** Aluminum Housing
- **Mounting** Stand, Wall, VESA (Optional)
- **Weight (Net)** 1.0kg (2.2lbs)
- **Power Requirement** 24VDC ±15%
- **Power Consumption** 14W (Typical), 24W (Max)

System Hardware

- **BIOS** ACP BIOS enabled
- **Processor** AMD RG-series T40E 1.0GHz dual core, 512MB
- **Memory** On-board 2GB DDR3 3833/1066MHz
- **Graphics Engine** AMD Radeon™ HD 6250 DirectXR11 graphics with UVD3.0 2D/3DAccelerator
- **Ethernet** Realtek RTL8111E, Marvell 88E6172 GigaEthernets with daisy chain technology
- **LED Indicators** LEDs for Power, battery, LAN (Active, Status)

I/O Interfaces

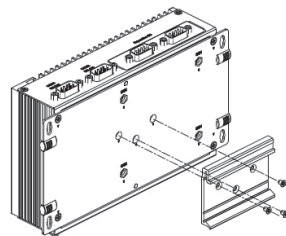
- **Serial Ports** 1xRS 232, DB9; 1xRS-485, DB9
- **LAN Ports** 2xRJ45, 10/100/1000Mbps (Built-in switch for daisy chaining supports 1 IP address only)
- **USB Ports** 4xUSB2.0
- **Display** 1xDisplayPort 1.1, supports 1920x1200 (HD6250) @ 30bpp
1xHDMI v1.3, supports 1920x1080p @ 36bpp
- **Power Connector** 1x2 Pins, Terminal Block
- **Grounding Protection** Chassis Grounding

Environment

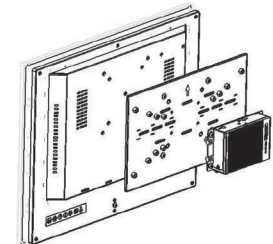
- **Operating Temperature** -10~60°C (-14~140°F) @ 5~85%RH with 0.7m/s airflow
- **Storage Temperature** -40~85°C (-40~185°F)
- **Relative Humidity** 10~95%RH @ 40°C, non-condensing
- **Shock Protection** Operating, IEC60068-2-27, 50G, half sine, 11ms
- **Vibration Protection** Operating, IEC60068-2-64, 2Grms, random, 5~500Hz, 1hr/axis
- **Ingress Protection** IP40

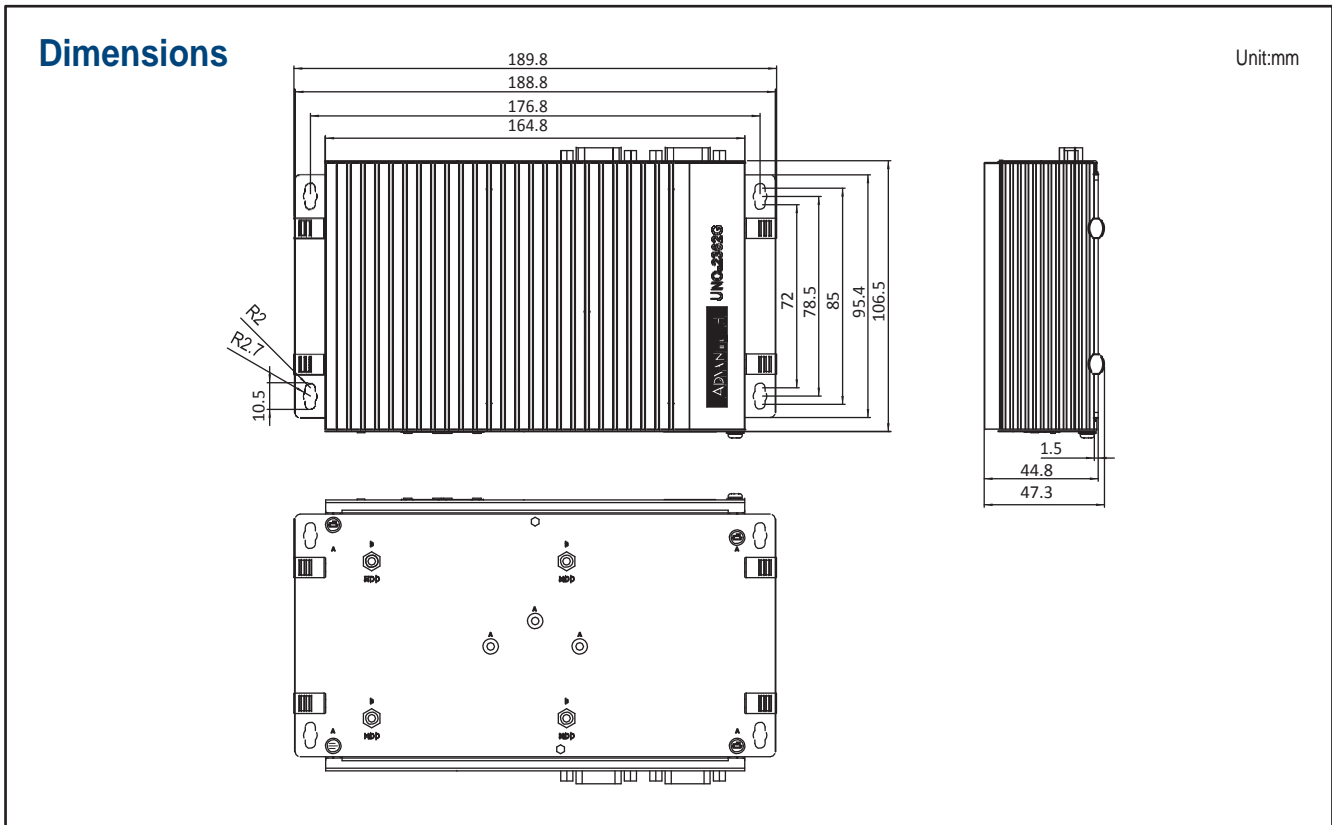
Installation Scenario

DIN-rail Mount Illustration

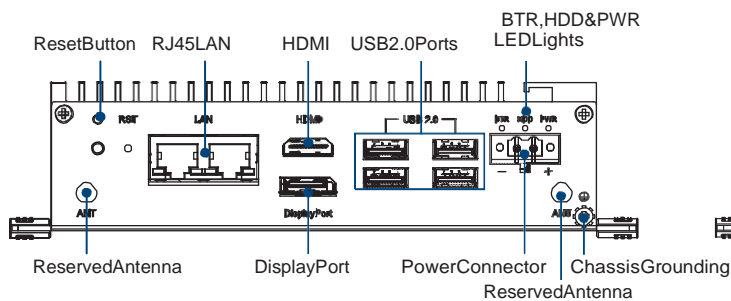


VESA Mount Illustration

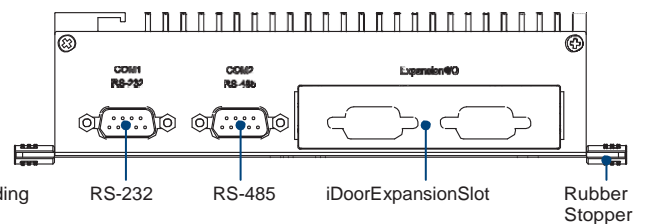




Front/OView



Rear/OView



Ordering Information

- SRP-FPV240-AE UNO-2362G-T2AE,ACPRReadyThinClient,HDMIx1,DPx1

Optional Accessories

- 96PSA-A60W24T2 100-240V60W24V2.5APowerAdaptor
- 1702002600 PowerCableUSPlug1.8M(IndustrialGrade)
- 1702002605 PowerCableEUPlug1.8M(IndustrialGrade)
- 1702031801 PowerCableUKPlug1.8M(IndustrialGrade)
- 1700000596 PowerCableChina/AustraliaPlug1.8M(IndustrialGrade)
- UNO-2000G-DMKAE UNO-2000DINRailKit
- UNO-2000G-VMKAE UNO-2000VESAMountKit

Monitor Cabling Accessories

*Available in America

- XACP-10DP-DPHM-10 DisplayPorttoHDMICable,10ft
- XACP-10DP-DPDI-10 DisplayPorttoDVICable,10ft
- XACP-10HM-15128-03 HDMIttoDVICable,10ft
- XACP-10DP-DPDP-10 DisplayPorttoDisplayPortCable,10ft
- XACP-10HM-128V4-10 HDMIttoHDMICable,10ft