

ARK-6622

Compact Chassis with one front slot for Mini-ITX Motherboard



Features

- With front I/O interfaces and one expansion slot
- Shockproof drive bay for two 2.5" HDDs
- Bottom door to access CF card or Mini-PCle card
- LED indicators for system fault detection
- Equipped 180W FLEX power supply



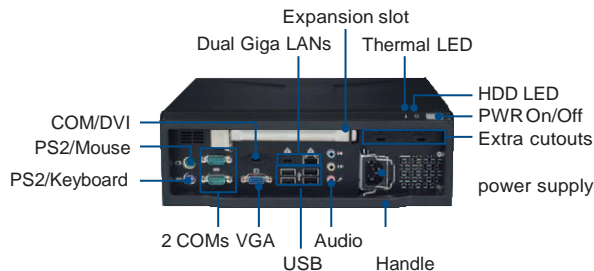
Specifications

Disk Drive Bay	2.5" (internal)	2
Front I/O Openings	USB	4
	PS/2	2
	COM	2
	DVI/COM	1
	RJ-45	2
	Audio	3 (Mic-in, Line-out, Line-in)
	VGA	1
	Expansion slot	1*
	Reserved cutouts	2 x DB-9 and 2 x Wireless Antenna Opening
Cooling	System Fan	ARK-6622H 2 (6 cm/27.7CFM)
	Air Filter	ARK-6622L 1 (6 cm/15.4CFM)
Miscellaneous	LED Indicators	Power, HDD, Temperature
	Control	Powerswitch
Environment	Temperature	Operating 0 ~ 40° C (32 ~ 104° F)
	Humidity	Non-operating -20 ~ 60° C (-4 ~ 140° F)
	Vibration (5 ~ 500Hz)	10 ~ 85%, @ 40° C, non-condensing
	Shock	1 Grms 2G 10 G (with 11ms duration, half sine wave) 30 G
Physical Characteristics	Dimensions (W x H x D)	272 x 88 x 232 mm (10.7" x 3.5" x 9.1")
	Weight	3.49kg (7.68 lb)

* The expansion slot is supported by dedicated riser cards, so an optional riser card is required for the add-on card.

* 176 mm (W) x 22 mm (H) space is available for add-on cards to assemble in slot.

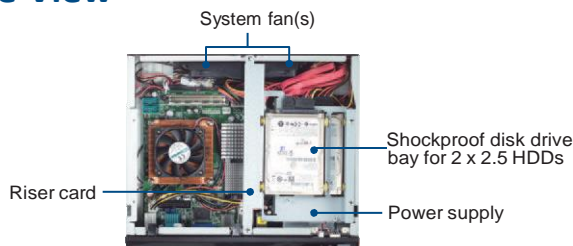
Front View



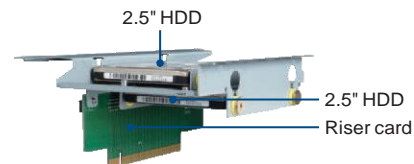
Rear Cover for Replacing Fans



Inside View

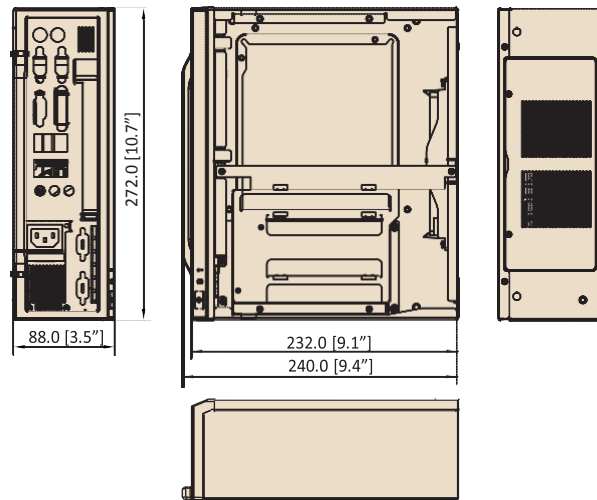


2.5" HDDs and Riser Card Bracket



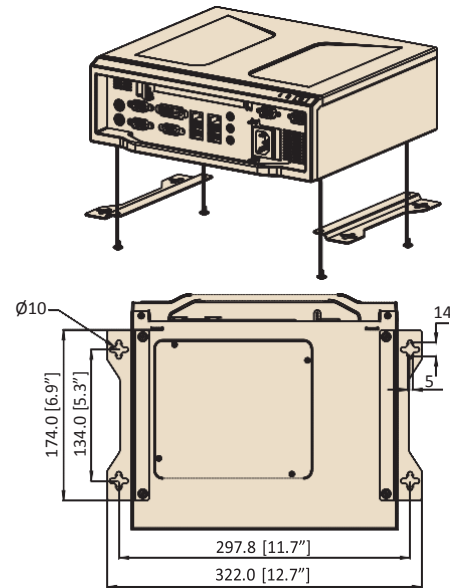
Dimensions

Unit: mm [inch]



Installation

Unit: mm [inch]



Ordering Information

Part Number	Power Supply	Recommended Motherboard	Recommended Riser Card
ARK-6622H-18ZE	96PS-A180WFX	AIMB-270/262	9892662210E
ARK-6622L-18ZE	96PS-A180WFX	AIMB-258 AIMB-210	9892662210E 9892662200E

Optional Accessories

Part Number	Description
9892662200E	PCI Interface Riser Card (for AIMB-210)
9892662210E	PCIe x16 Interface Riser Card (AIMB-258/262/270)
98R2662001E	VESA mounting kit
1750006419	27.7 CFM system cooling fan (For ARK-6622H)
1750005863	15.4 CFM system cooling fan (For ARK-6622L)