

ADAM-4571/L

ADAM-4570/L

1-port RS-232/422/485 Serial Device Server
2-port RS-232/422/485 Serial Device Server



Specifications

Ethernet Communications

- **Compatibility** IEEE802.3, IEEE802.3u
- **Speed** 10/100Mbps
- **No. of Ports** 1
- **Port Connector** 8-pin RJ45
- **Protection** Built-in 1.5 KV magnetic isolation

Serial Communications

- ③ **Port Type** ADAM-4571/4570: RS-232/422/485, software selectable
ADAM-4571L/4570L: RS-232
- **No. of Ports** ADAM-4571/4571L: 1
ADAM-4570/4570L: 2
- **Port Connector** ADAM-4571/4571L: DB9 male
ADAM-4570/4570L: 10-pin RJ48
- **Data Bits** 5, 6, 7, 8
- **Stop Bits** 1, 1.5, 2
- **Parity** None, Odd, Even, Space, Mark
- **Flow Control** XON/XOFF, RTS/CTS
- **Baud Rate** 50bps~921.6kbps, any baud rate setting
- **Serial Signals** RS-232: TxD, RxD, CTS, RTS, DTR, DSR, DCD, RI, GND
RS-422: TxD+, TxD-, RxD+, RxD-, GND
RS-485: Data+, Data-, GND
- **Protection** 15KV ESD protection for all signals

Software

- **OS Support** 32-bit/64-bit Windows XP/Vista/7/8, Windows Server 2003/2008/2008R2/2012, Windows CE 5.0, and Linux
- **Utility Software** Advantech EKIDevice Configuration Utility
- **Operation Modes** COM port redirection (Virtual COM)
TCP/UDP server (polling) mode
TCP/UDP client (event handling) mode
Pair Connection (peer-to-peer) mode
- **Configuration** Windows utility, Telnet console, Web Browser
- **Protocol** ARP, ICMP, IP, TCP, UDP, BOOTP, DHCP Client, AutoIP, Telnet, SNMP, HTTP, DNS, SMTP

Mechanics

- ③ **Dimension (WxHxD)** 70x130x30mm (2.76"x5.12"x1.18")
- **Enclosure** ABS+PC with solid mounting hardware
- **Mounting** DIN-rail, Stack, Wall
- ③ **Weight** ADAM-4571/4571L: 135g
ADAM-4570/4570L: 160g

General

- **LED Indicators** System: Power, System Status
LAN: Speed, Link/Active
Serial: Tx, Rx
- **Reboot Trigger** Built-in WDT (watchdog timer)

Power Requirements

- **Power Input** 10~30V_{DC}
- **Power Connector** Terminal block
- **Power Consumption** ADAM-4571/4571L: 2.5W
ADAM-4570/4570L: 2.5W

Environment

- **Operating Temperature** -10~60°C (14~140°F)
- **Storage Temperature** -20~80°C (-4~176°F)
- **Operating Humidity** 5 to 95% RH

Regulatory Approvals

- **EMC** CE, FCC Part 15 Subpart B (Class A)

Ordering Information

- **ADAM-4571** 1-port RS-232/422/485 Serial Device Server
- **ADAM-4571L** 1-port RS-232 Serial Device Server
- **ADAM-4570** 2-port RS-232/422/485 Serial Device Server
- **ADAM-4570L** 2-port RS-232 Serial Device Server

*ADAM-4570/4570L includes 2 pcs OPT1A

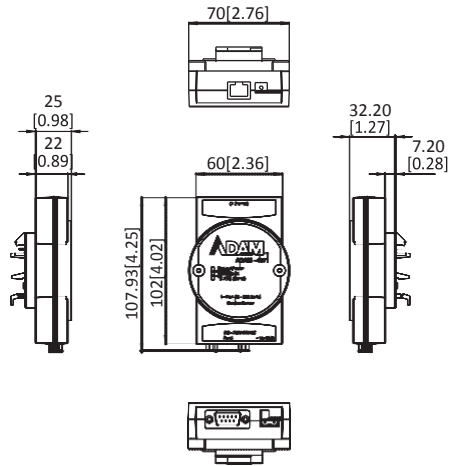
Accessories

- **OPT1A** 1m RJ48 to DB9 Male Cable
- **OPT1D** 30cm RJ48 to DB9 Male Cable

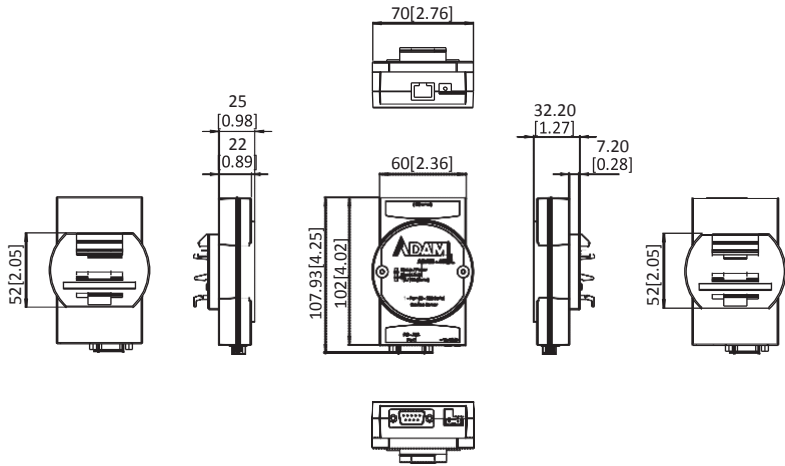
Dimensions

Unit:mm[inch]

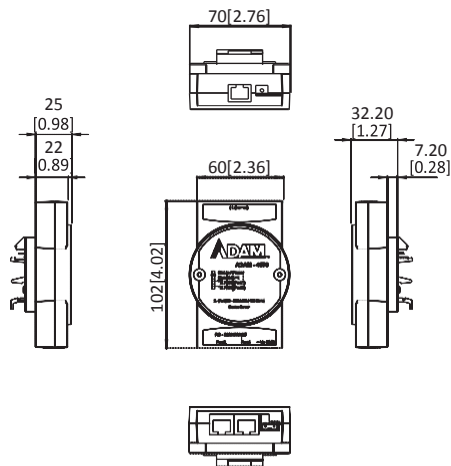
ADAM-4571



ADAM-4571L



ADAM-4570



ADAM-4570L

